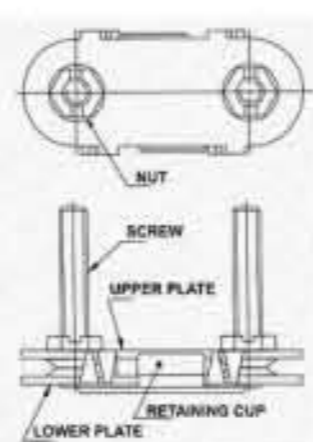


### Conveyor Belt Fasteners

We are manufacturers of complete range of Conveyor Belt Fasteners Plate Hawk Jackson Type for domestic and exports markets as per IS:10288:1982 for Joining rubber conveyor belts used in Mining, Cement,Steel,Thermal,Chemical plants, Quarries Road Constructions, Stone Crushing, Food, Sand & Gravels etc.

We manufacture solid plate Conveyor Belt Fasteners in following Sizes :No.1, 1.5, 2, 2.5 & 3



Technical Specifications: Material :-

**Material** :- The plates and retaining clip are manufactured from cold rolled carbon steel sheet or strip conforming to grade D of IS : 513-1973 'Specification for cold rolled carbon Steel sheet ( second revision )' 01 ' Grade D of IS : 4030-1973 ' Specification for cold rolled carbon steel sheet strip for general engineering purposes .These are Zinc Plated for longer life and rust preventions.Specially formed teeth penetrates belt carcass without damaging conveyor belts fibre.

**Screw and nut** :- The screw and nut are manufactured from 4.6 of IS : 1367 (part 3) - 1979 'Technical supply conditions for threaded steel fasteners : Part 3 mechanical properties and test methods for bolt, screws and studs with full loadability .These are painted auto black finish for longer life. Our Conveyor Belt Fasteners ensures maximizing conveyors uptime, conveyor safety and belting productivity in a way of longer life on higher tension belts with mechanical fastener ratings upto 350 KN/M (=2,000 P.I.W.)

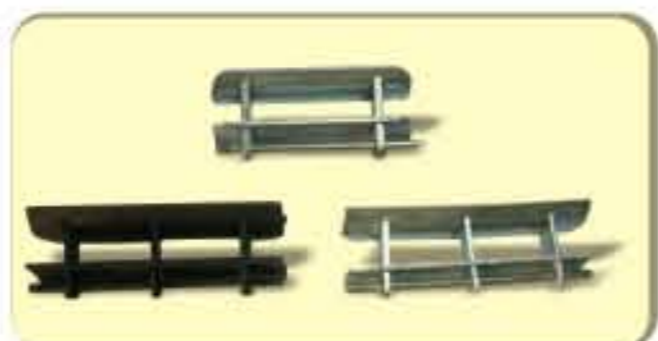
SELECTION OF FASTENERS														
Fasteners Designation	Belt Thickness in min.	Minimum Pulley Dia In min.	Number of Sets Required for Various Width In mm of Belting											
			203	254	305	406	456	508	609	762	915	1220	1524	1830
No.1	6 to 11	300	6	8	10	13	15	16	20	25	30	40	50	60
No.1.5	9.5 to 17.5	450	-	-	8	10	12	13	16	20	24	32	40	48
No.2	12.5 to 20.5	750	-	-	-	9	10	11	14	17	21	28	35	42
No.2.5	17.5 to 25.5	1050	-	-	-	-	9	10	13	16	19	26	32	39
No.3	20.5 to 30	1250	-	-	-	-	-	10	13	16	19	26	32	39

## PRODUCT RANGE

An ISO 9001 : 2000 Certified Company

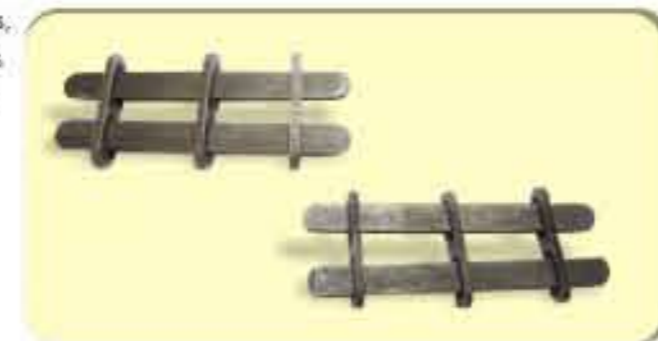
### Walker Type

This fastener is ideal for belts used for driving dynamos,fans, woodworking machinery etc. Also extensively used by railways for joining train lighting belts.



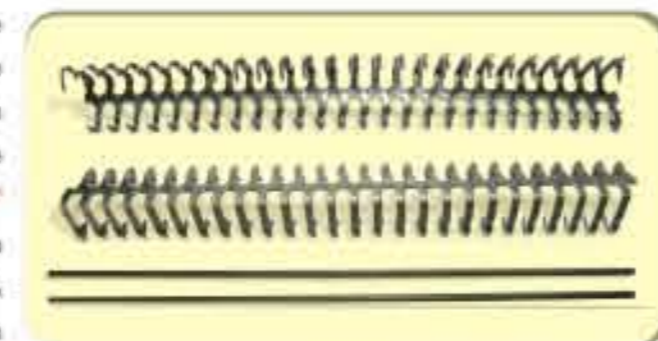
### Alegral Type

This fastener is ideal for belts used for driving dynamos,fans, woodworking machinery etc. Also extensively used by railways for joining train lighting belts. Railways Train Lighting Belting Drive



### Steel Belt Lacing

We offer an excellent quality range of Steel Belt Lacings,which are manufactured from high grade quality raw materials These are alligator type of U.S.A.Our steel belt lacing are of high durability and is designed for easy on site installation by only one person. Designed for belts from 1/32" (0.8mm) to 1/2" (12.5mm).Belt Lacing installation requires no special tools only a hammer. We manufacture our Steel Belt Lacing in CRC Steel & Stainless Steel material. Our Steel Belt Lacings are available in following Sizes : No.15, No.20, No.25, No.27, No.35, No.45, No.55



Following Tools Are Used To Install Conveyor Belt Fasteners

### Belt Punches

These are Designed and manufactured for Piercing Holes in all types of Belts (Conveyor,Transmissions,Leather,Pvc Belts ,Paper Wood Etc)for Belt Jointing These PUNCHES are manufactured in Alloy steels dully Hardened and Tempered. We manufacture following sizes of Belt Punches: Size : 6mm,8mm, 10mm, 12mm. Our Belt Punches are Auto Black finish or Zinc Plated for longer life & rust prevention.



## PRODUCT RANGE

An ISO 9001 : 2000 Certified Company

### Oil Filter Wrench

- Oil Filter Chain Wrench (Heavy Duty)
- Oil filter Chain Wrench (Light Duty)
- Oil Filter Wrench (Screw Type)

Our Filter Wrenches are specialized designed to remove oil filters. Our Filter Wrenches removes filters with minimal risk of damage & Ideal for servicing. Screw Type Filter wrench is provided with Steel strap with heavy-duty Plastic body and control knob Our Oil Filters Wrench Chains are painted Auto black finish for longer life & rust prevention.



### Spring Stall Clamps

Our Metal Spring Stall Clamps also known commonly as a Market Stall Clip, is a general purpose pressed steel clamp incorporating a heavy duty coil spring and plated finish in following sizes of Spring Stall Clamps

- Spring Stall Clamp(Zinc Plated Heavy) 4"/100mm With 25mm (1 inches) jaw capacity.
- Spring Stall Clamp (Zinc Plated Heavy) 6"/150mm With 50mm (2 inches) jaw capacity.
- Spring Stall Clamp (Powder Coated with Rubber Grips) 4"/100mm With 25mm (1 inches) jaw capacity.
- Spring Stall Clamp (Powder Coated with Rubber Grips) 6"/150mm With 50mm (2 inches) jaw capacity.



### Chain Saw Machine Parts

We manufacture following Chain Saw Replacement Parts:

- Spic Bumper Sthill Type.
- Side Mounting Covers

Our Spic Bumpers are made from Hardened Alloy Steel and Chrome Plated for giving proper Grip and longer life ,rusting & durability. These are used in different types of chain saw,electric chain saws, motorized chain saw that are portable and motorized



### Anchor Bolts

Our Pin Type Anchor Bolts also known as Zebra Bolts. These are widely used in various industries like oil,thermal power,power, chemical and petrochemical. which are manufactured using qualitative raw material to ensure efficient performance to the end users.Sizes: 10mmX75mm, 12mmX100mm, 16mmX100mm etc.



## PRODUCT RANGE

An ISO 9001 : 2000 Certified Company

### Oval Belt Fasteners

These are used in Lap & Saddle Back Belt Joining These Fasteners are manufactured in Mild Steel ,Stainless Steel as well as in malleable casting.

We manufacture following sizes of Oval Belt Fasteners:  
3/8X1 1/2"(10 G), 3/8X 2"(10 G)  
5/16X1 1/4"(10G),1/4X1"(16G)

Our Oval Belt Fasteners are painted Auto black finish for longer life & rust prevention. We also provide them in Yellow Zinc Plating as per customer requirements and demand.



### Elevator Bucket Bolts

These Elevator Bucket Bolts are used to mount Elevator Buckets to Elevator Belts and for many other mountings. We manufacture our Elevator Bucket Bolts in Mild Steel as well as Stainless Steel as per their usage and demands.

We manufacture our in Elevator Bucket Bolts in following Sizes: 1/4X1", 5/16X1", 5/16X 1 1/4", 3/8X1 1/2", M8, M10 & M12.

Our Elevator Bucket Bolts are painted Auto black or Zinc plated finish for longer life & rust prevention.



### Euro Bolt As Per Din 15237

Our Euro Bolts are with Large Bolt Head Diameter provided with Domed washers or Flat Washer with Hex or Square nut as per customer requirements.These are used in mounting Steel Buckets & Plastic Buckets. Our Euro Bolts available in Metric Thread in M8,M10 & M12 sizes with various lengths as per customer requirements. Our Euro Bolts are painted Auto black or Zinc plated finish for longer life & rust prevention.



### Standard GRIPWELL Belt Fasteners

These L-Type and Knurling type fasteners are Suitable for connecting belts of a maximum thickness of 3/8(9.5mm). One of the strongest & most secure of all types of belt fasteners for leather, hair, balata, cotton & rubber belting etc. Special parallel groves are engraved on the plates Which improve the fasteners lasting & very effective for heavy work. Particularly suitable for joining elevator belting with no metal to metal contact around pulleys. We manufacture Gripwell Belt Fasteners from 2" to 6" size. Our Gripwell Belt Fasteners are painted Auto black finish for longer life & rust prevention. We also provide them in Zinc Plating as per customer requirements and demand.



### Bolt Tightening Key

These BOLT TIGHTENING KEYS are used to tighten nuts on Conveyor Belt Fasteners for Joining Conveyor Belts. These Fasteners are manufactured From Alloy steel & Hardened. We manufacture Two sizes of Bolt Tightening Key for Tighten Nut for Conveyor Belt Fastener No.11/2, No.2 & No.21/2, No.3 We provide them in Yellow Zinc Plating Finish for longer life & rust prevention.



### Bolt Breakers

These BOLT BREAKERS are used to Break extra bolts left on Conveyor Belt Fasteners after Joining of Conveyor Belts. These are manufactured From Alloy steel & Hardened. We manufacture Two sizes of Bolt Breakers for breaking extra bolts from Conveyor Belt Fastener No.11/2, No.2 & No.21/2, No.3.

We provide them in painted Auto black finish for longer life & rust prevention. We also provide them in Yellow Zinc Plating as per customer requirements and demand.



### Templates

Templets simplify installation by providing a guide for accurate bolt-hole placement. Lengths for all standard belt widths are available.



### Brace Wrench

These hand tool also called Power Bits are used to hold ,twist or extract broken nut or bolt These are available in sizes 50mm & 65mm.



### Allen Key Hex Wrenches

Our Hex Key Wrenches are made out of high Gade Alloy Steel.Hardness of 50 HRC done as per international standard for High Torsional Strength. Available in Black oxide finish along with the protective coating of rust preventive oil. Available in size 1.5mm to 36 mm & 1/16 to 1".



### Pressed Scaffolding Couplers

We offer our clients a wide range of scaffolding spare that includes scaffolding spare parts and coupler. We manufacturers of complete range of Sheet Metal Pressed Scaffolding Couplers for domestic and exports markets as per I . S Standards etc as follows:

- 1.SWIVEL COUPLER for Pipe O.D 48.3mm
- 2.FIXED RIGHT ANGLE COUPLER for Pipe O.D. 48.3mm



### Sheet Metal Press Components

We are manufacturers of O.E.Sheet Metal Press Components for various Automobile Sector. iHand Tools,Hardware etc. We have our well equipped Tool Room to develop Tools & Dies as per drawings and specifications along with production Press Shop from capacity 3 Tons To 150 Tons.



### Packings

All our Conveyor Belt Fasteners are Packed in Individual Strong Boxes and then in Export Catoons as per various sizes for safe shipments and transportations.

